

**For Video Test Instruments**

**Rackmount Adapter**

**LR-2750-I**

132  
482  
190

LC 2125A  
Blank Panel

For LV 5750

**Rackmount Adapter**

**LR-2700A-I**

432  
130  
132 57.2  
482  
410

EIA standard, inch size

LC 2125A  
Blank Panel

**Cabinet**

**LR-2404A**

126.5  
409  
209.5

without handle

**Cabinet**

**LR-2427B**

126.5  
409  
209.5

with handle

**Illumination lamp**

**LI-2306** (A set of 5 pcs.)

**Illumination lamp**

**LI-2307** (A set of 2 pcs.)

**Illumination lamp**

**LI-2308** (LED)

**Metal Cabinet**

**LC 2126**

For LV 5750

**Viewing Hood**

**LH 2139**

A must for outdoor use

For LV 5750

**Tripod Mounting Plate**

**LC 2127**

For LV 5750

**AC Adapter**

**LP-1960** **CE**

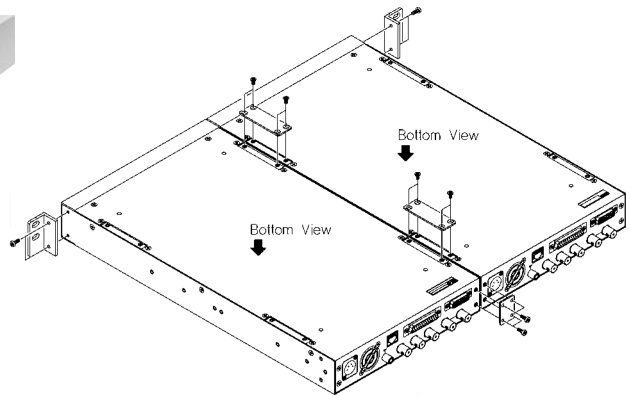
For LT 4400, LV 5750, LV 7700, LV 7720

## For Video Test Instruments

### Dedicated Rack Mount Adapter (Sold Separately)

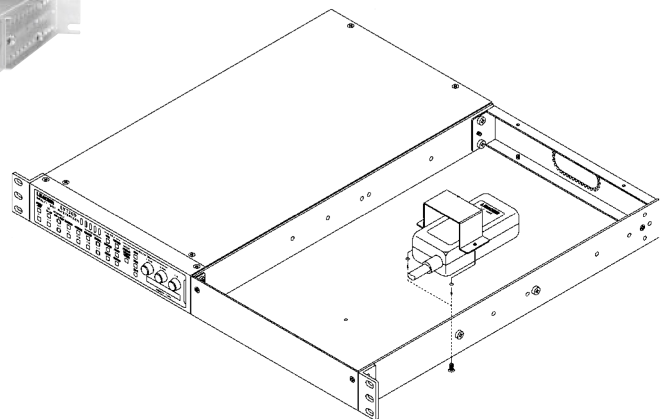
#### Rackmount Adapter

##### LR-2477



#### Rackmount Adapter

##### LR-2480



Model	Product Name	Applicable Model
LR-2700A-I	Rackmount adaptor	LV 5800, LV 5100D, LV 5100DE, LV 5152, LV 5152DA, 5210, 5212, 5220, 5222, LV 5700A, LV 5750, 5835, LV 5836C, 5850V, 5851V, 5860V, 5861V, 5870, 5872A, 5873
LR-2750-I	Rackmount adaptor	LV 5750 only
LR-2404A	Cabinet (without handle)	LV 5800, LV 5100D, LV 5100DE, LV 5152, LV 5152DA, 5210, 5212, 5220, 5222, LV 5700A
LR-2427B	Cabinet (with handle)	LV 5700A
LR-2477	Rackmount adaptor	2 units of LV 7700 / LT 4400 fit in LR-2477
LR-2480	Rackmount adaptor	One unit of LV 7700 or LT 4400 fit in LR-2480 (Not for 2 units)
LI-2306	Illumination lamp	Replacing with a lamp for 5200 series, LV 5152DA, LV5100D/DE, 5870, 5872A, 5873, 5850V, 5860V, etc.
LI-2307	Illumination lamp	Replacing with a lamp for 5835
LI-2308	Illumination lamp (LED)	Replacing with a lamp for 5870, 5872A, 5873, 5850V, 5851V, 5860V, LV 5100D, LV 5100DE, Except LV 5152DA
LC 2128	Front cover	LV 5700A, LV 5750

\*White CRT is standard.

\*POWER REQUIREMENTS: "VA" in the "Power Consumption" indicates the apparent power.

\*Description and specifications in this catalog are subject to change without previous notice.

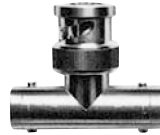
**Optional Accessories**

**Adapter for Type F Connector (F-A-PJ)**



**F 077**  
Protection for input connector  
Applicable Model  
LF 941D

**CONNECTOR**



**LC-1581**  
BNC-JPJ

**Dummy Antenna**

**For LG 3236**



**LSS-5012**  
For car radio  
Input Impedance: 50 Ω  
Output Impedance: FM: 75 Ω  
AM: 80 Ω

**Dummy Antenna**

**For LG 3236**



**LSS-5013**  
For car radio  
Input Impedance: 50 Ω  
Output Impedance: FM: 75 Ω  
AM: 80 Ω

**TERMINATION RESISTORS**

■ **Termination Resistors**



■ **Feed Through Type Termination Resistor**



Model	Impedance	Frequency Range	Connector	Spec. common to each model
LT-1545-75	75 Ω	DC to 300 MHz	BNC-P	VSWR...less than 1.05 Power...1/4 W
LT-1546-75	75 Ω	DC to 300 MHz	N-P	
LT-1546-50	50 Ω	DC to 1 GHz	N-P	

Model	Impedance	Frequency Range	VSWR	Power	Connector
LT-2049	50 Ω	DC to 300 MHz	less than 1.3	1/2 W	BNC